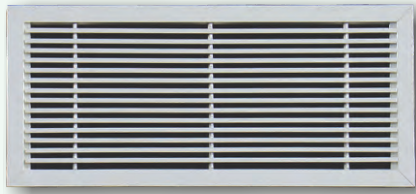


# PODNA REŠETKA FLOOR GRILLES



## BT

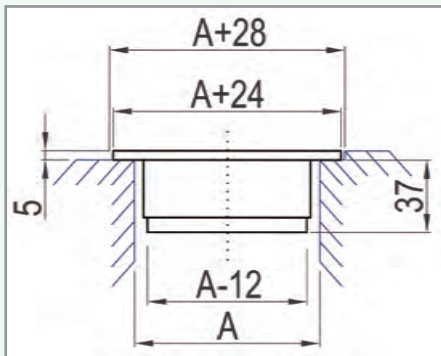
- Podna, teški tip, rešetka sa jednim redom nepokretnih lamela za izbacivanje pravo. Lamele su paralelne prvoj navedenoj dimenziji. Usisna ili odsisna rešetka koja se može postaviti na pod.
- Linear, heavy type, grille with one row of fixed blades for straight throw. The blades are parallel to the first mentioned dimension. Is used for supply or return air and is installed in floors.

### DIMENZIJE OTVORA / HOLE DIMENSION Visina / Height (mm)

	50	75	100	125	150	200	250	300	350	400
100	17,42	17,42	17,42							
125	17,42	17,42	17,42	17,42						
150	17,42	17,42	17,42	17,42	17,42					
200	17,42	17,42	17,42	17,42	17,42	17,42				
250	17,42	17,42	17,42	17,42	17,42	18,20	22,52			
300	17,42	17,42	17,42	18,86	20,90	21,84	27,02	31,10		
350	17,42	17,42	19,78	22,01	24,39	25,48	31,53	36,29	41,09	
400	17,42	19,88	22,60	25,15	27,87	29,12	36,03	41,47	46,96	52,29
450	19,31	22,37	25,43	28,30	31,35	32,76	40,53	46,65	52,83	58,83
500	21,46	24,85	28,26	31,44	34,84	36,40	45,04	51,84	58,70	65,36
550	23,60	27,34	31,08	34,58	38,32	40,04	49,54	57,02	64,57	71,90
600	25,75	29,82	33,91	37,73	41,80	43,68	54,05	62,20	70,44	78,44
650	27,89	32,31	36,73	40,87	45,29	47,32	58,55	67,39	76,31	84,97
700	30,04	34,80	39,56	44,02	48,77	50,96	63,05	72,57	82,18	91,51
750	32,18	37,28	42,38	47,16	52,26	54,60	67,56	77,75	88,05	98,05
800	34,33	39,77	45,21	50,30	55,74	58,24	72,06	82,94	93,92	104,58
850	36,48	42,25	48,03	53,45	59,22	61,88	76,56	88,12	99,79	111,12
900	38,62	44,74	50,86	56,59	62,71	65,52	81,07	93,31	105,66	117,65
950	40,77	47,22	53,69	59,74	66,19	69,16	85,57	98,49	111,53	124,19
1000	42,91	49,71	56,51	62,88	69,67	72,80	90,08	103,67	117,40	130,73

Širina / Width (mm)

CENOVNIK ZA REŠETKE OD  
ELOKSIRANOG ALUMINIJUMA  
U PRIRODNOJ BOJI  
PRICELIST FOR GRILLES MADE  
OF ANODIZED ALUMINIUM  
IN NATURAL COLOUR



### Visina / Height (mm)

	50	75	100	125	150	200	250	300	350	400
100	23,17	23,17	23,17							
125	23,17	23,17	23,17	23,17						
150	23,17	23,17	23,17	23,17	23,17					
200	23,17	23,17	23,17	23,17	23,17	23,17				
250	23,17	23,17	23,17	23,17	23,17	23,95	28,27			
300	23,17	23,17	23,17	24,61	26,65	27,59	32,77	36,85		
350	23,17	23,17	25,53	27,76	30,14	31,23	37,28	42,04	46,84	
400	23,17	25,63	28,35	30,90	33,62	34,87	41,78	47,22	52,71	58,04
450	25,06	28,12	31,18	34,05	37,10	38,51	46,28	52,40	58,58	64,58
500	27,21	30,60	34,01	37,19	40,59	42,15	50,79	57,59	64,45	71,59
550	29,35	33,09	36,83	40,33	44,07	45,79	55,29	62,77	70,72	78,75
600	31,50	35,57	39,66	43,48	47,55	49,43	59,79	68,13	77,15	85,91
650	33,64	38,06	42,48	46,62	51,04	53,07	64,30	73,81	83,58	93,07
700	35,79	40,54	45,31	49,77	54,52	56,71	69,06	79,48	90,01	100,22
750	37,93	43,03	48,13	52,91	58,01	60,35	73,99	85,16	96,44	107,38
800	40,08	45,52	50,96	56,05	61,49	63,99	78,92	90,84	102,87	114,54
850	42,23	48,00	53,78	59,20	64,97	67,77	83,86	96,51	109,30	121,70
900	44,37	50,49	56,61	62,34	68,68	71,76	88,79	102,19	115,73	128,86
950	46,52	52,97	59,44	65,49	72,49	75,74	93,72	107,87	122,16	136,02
1000	48,66	55,46	62,26	68,87	76,31	79,73	98,65	113,55	128,58	143,18

Širina / Width (mm)

CENOVNIK ZA REŠETKE  
OBOJENE RAL BOJOM  
PLASTIFICIRANE

PRICE LIST FOR GRILLES  
PAINTED IN RAL COLOUR  
ELECTROSTATICALLY

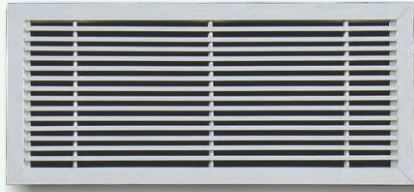
#### NAPOMENE:

\* Za neke specijalne RAL boje postoji dodatak u ceni. Kontaktirajte nas za detaljnije informacije.

#### NOTES:

\* For some special RAL colours there is extra charge. Come in touch with us for more information.

**BT-D**



- Podna, teški tip, rešetka sa jednim redom nepokretnih lamela za izbacivanje pravo. Lamele su paralelne prvoj navedenoj dimenziji. Usisna ili odsisna rešetka koja se može postaviti na pod. Ima regulator protoka sa suprotnosmernim lamelama za regulisanje protoka vazduha.
- Linear, heavy type, grille with one row of fixed blades for straight throw. The blades are parallel to the first mentioned dimension. Is used for supply or return air and is installed in floors. With opposed blade damper for regulation of air flow.

**DIMENZIJE OTVORA / HOLE DIMENSION**

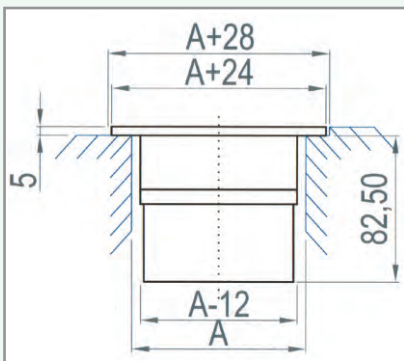
Visina / Height (mm)

	100	125	150	200	250	300	350	400
100	25,54							
125	25,54	25,54						
150	25,54	25,54	25,54					
200	25,54	25,54	25,54	25,54				
250	25,54	25,54	25,54	27,12	32,15			
300	25,54	26,94	29,83	31,61	37,50	42,43		
350	27,73	30,93	34,16	36,15	42,85	49,03	55,11	
400	31,40	34,93	38,53	40,60	47,41	55,63	62,44	69,72
450	35,08	38,92	42,87	45,22	52,90	62,24	69,69	78,00
500	38,76	42,92	47,21	49,57	58,93	68,84	77,25	86,23
550	42,44	46,91	51,45	54,11	64,42	75,43	84,26	94,42
600	46,11	50,91	55,88	58,70	69,72	81,99	91,54	102,70
650	49,35	54,40	59,51	62,82	75,42	87,31	98,27	109,93
700	52,59	57,90	63,14	66,95	81,13	92,63	104,99	117,15
750	55,70	61,46	67,30	71,73	87,10	99,28	113,55	126,80
800	59,37	65,25	71,68	76,94	94,15	108,01	124,65	136,87
850	62,55	69,07	75,85	81,42	100,00	114,75	131,52	145,82
900	65,74	72,88	80,02	85,91	105,86	121,50	138,39	154,77
950	69,05	77,15	84,62	91,32	111,92	128,45	146,38	163,49
1000	72,37	81,43	89,21	96,73	117,97	135,40	154,37	172,22

CENOVNIK ZA REŠETKE OD  
ELOKSIRANOG ALUMINIJUMA  
U PRIRODNOJ BOJI

PRICELIST FOR GRILLES MADE  
OF ANODIZED ALUMINIUM  
IN NATURAL COLOUR

Širina / Width (mm)



Visina / Height (mm)

	100	125	150	200	250	300	350	400
100	31,29							
125	31,29	31,29						
150	31,29	31,29	31,29					
200	31,29	31,29	31,29	31,29				
250	31,29	31,29	31,29	32,87	37,90			
300	31,29	32,69	35,58	37,36	43,25	48,18		
350	33,48	36,68	39,91	41,90	48,60	54,78	60,86	
400	37,15	40,68	44,28	46,35	53,16	61,38	68,19	75,47
450	40,83	44,67	48,62	50,97	58,65	67,99	75,44	83,75
500	44,51	48,67	52,96	55,32	64,68	74,59	83,00	92,45
550	48,19	52,66	57,20	59,86	70,17	81,18	90,41	101,27
600	51,86	56,66	61,62	64,44	75,47	87,91	98,25	110,17
650	55,10	60,15	65,26	68,57	81,17	93,73	105,53	118,02
700	58,34	63,65	68,89	72,70	87,13	99,54	112,81	125,87
750	61,45	67,21	73,05	77,48	93,53	106,69	121,93	136,14
800	65,12	71,00	77,43	82,69	101,01	115,90	133,59	146,83
850	68,30	74,82	81,60	87,32	107,29	123,14	141,02	156,40
900	71,49	78,63	86,00	92,15	113,58	130,38	148,45	165,97
950	74,80	82,90	90,92	97,90	120,07	137,83	157,00	175,32
1000	78,12	87,41	95,85	103,66	126,55	145,28	165,56	184,67

Širina / Width (mm)

CENOVNIK ZA REŠETKE  
OBOJENE RAL BOJOM  
PLASTIFICIRANE

PRICE LIST FOR GRILLES  
PAINTED IN RAL COLOUR  
ELECTROSTATICALLY

2

**NAPOMENE:**

\* Za neke specijalne RAL boje postoji dodatak u ceni. Kontaktirajte nas za detaljnije informacije.

**NOTES:**

\* For some special RAL colours there is extra charge. Come in touch with us for more information.